

SBP-156WMW

Wall Mount



Key Features

- Material : Aluminum
- Color : White
- Dimensions : 135(W) x 183(H) x 302(D)mm (5.31 x 7.20 x 11.89")

Compatible Accessories (Optional)



XNP-8300RW



XNP-6400RW

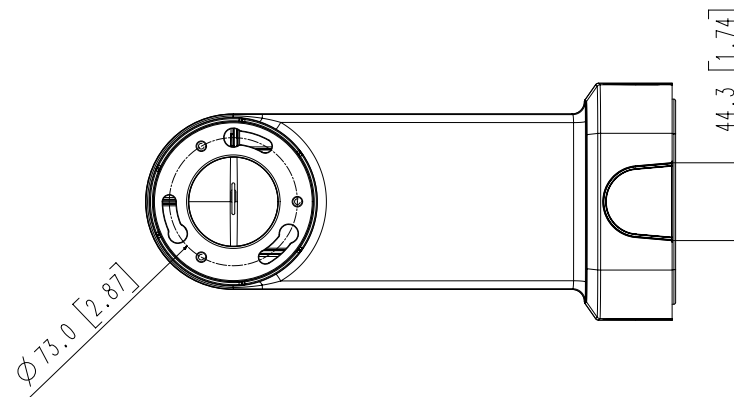
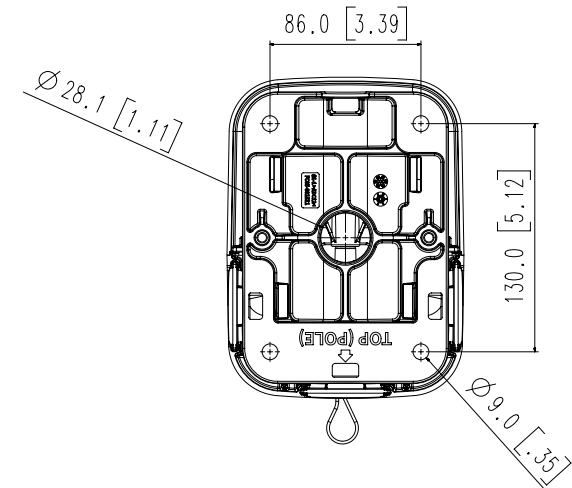
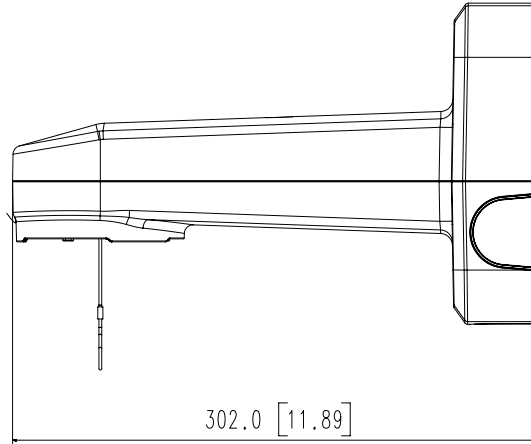
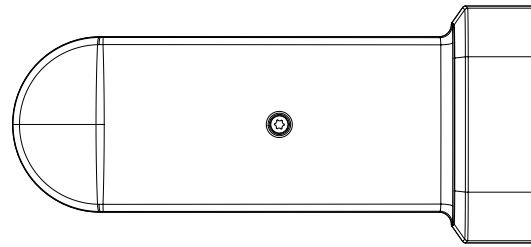
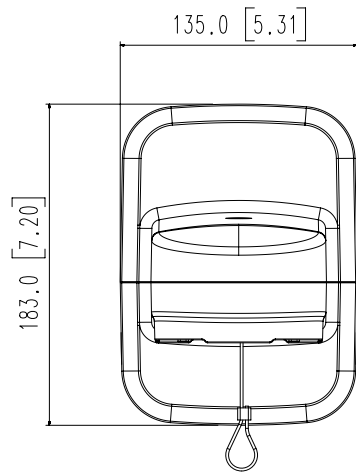


XNP-9300RW

Mechanical

Color	White
Material	Aluminum
RAL code	RAL9003
Product dimensions / weight	135(W)x183(H)x302(D)mm (5.31x7.20x11.89"), 1517g(3.34lb)
Supported products	XNP-9300RW/XNP-8300RW/XNP-6400RW ※ For further compatible models, please visit our website or use Toolbox

- The latest product information / specification can be found at hanwha-security.com
- Design and specifications are subject to change without notice.
- Wisenet is the proprietary brand of Hanwha Techwin, formerly known as Samsung Techwin.



1	SBP-156WMW	20.06.18
No.	MODEL NAME	DATE
Unit:mm[inch]	SCALE:1/1	© Hanwha Techwin